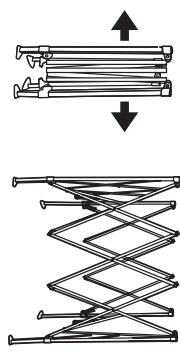
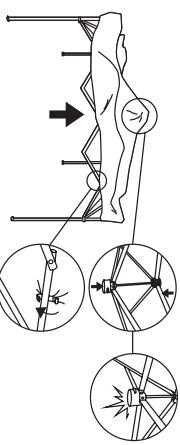

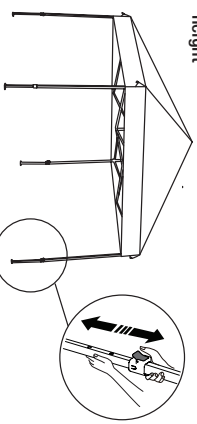
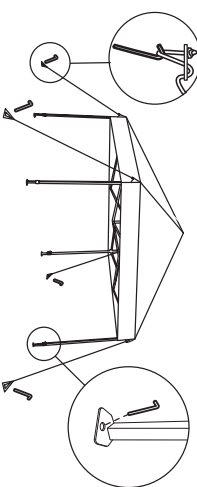


POPUP-SHADE SETUP

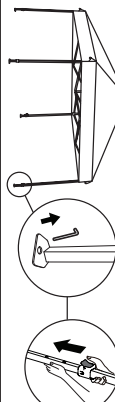
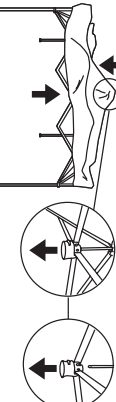
- 1 OPEN THE FRAME**
 - Lift and expand frame to arms length
- 3 SETTING THE POPLOCK™**
 - Lift the frame assembly and position yourself underneath. Expand the frame fully by pushing the PopLock™ central hub straight up until it clicks
 - Finish setup by attaching upper and lower Velcro loops

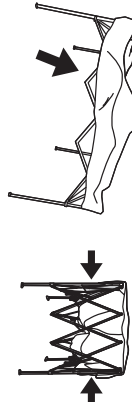

- 2 ATTACH THE TOP**
 - Unfold and position top over the frame
 - Align and attach the four Velcro corners

- 4 EXTENDING THE LEGS**
 - Step on the footplate and extend each leg until securely locked
 - Press the red button on each leg to further extend the height

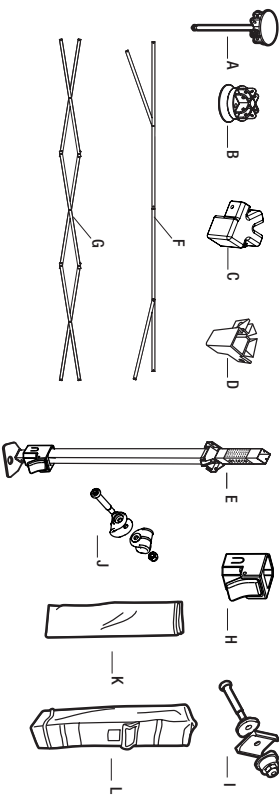
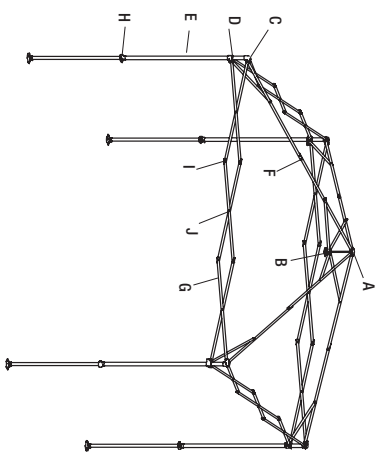
- 5 ANCHORING THE FRAME**
 - Insert included stakes into each footplate, tie the corner guy-wire ropes
 - Angle and tension each guy-wire rope to the included tent spikes

POPUP-SHADE TAKEDOWN

- 1 REMOVE STAKES AND RETRACT LEGS**
 - Press the red button on each leg to retract
- 2 RELEASE THE POPLOCK™ CENTRAL HUB**
 - Position yourself under the frame and press red button to release the central hub

- 3 FOLDING THE FRAME**
 - Lift one corner and push inward until closed
- 4 STORING THE SHADE**
 - Compress and position the frame legs facing the wheel-bag rollers
 - Slide wheel-bag over the top of the fully compressed frame

Spare Parts



| Part | Description | Reference No. |
|------|--------------------|---------------|
| A | Central Pole | UNCF82BKMI |
| B | Central Bottom Hub | UNCH400BKCL |
| C | Top Bracker-28 | UNLC11BKMI |
| D | Slider-28 | UNLS11BKMI |
| E | Leg Assembly | UNCA10WH00 |
| F | Ceiling Assembly | UNEA10WH00 |
| G | Eave Assembly | UNLA10WHPB |

| Part | Description | Reference No. |
|------|---------------------|---------------|
| H | Leg Extend | UNLE11BK4P |
| I | M5 Bolt Kit | UNBKMI5BK4P |
| J | M4 Bolt Kit | UNBKMI4BK3P |
| K | Top Fabric-blue | UCT110BU00 |
| L | Wheeled Storage Bag | UCWB86BK00 |



WARNING
 KEEP ALL FLAME AND HEAT SOURCES AWAY FROM SHADE FABRIC
 ENSURE THE SHADE IS PROPERLY ANCHORED AT ALL TIMES
 TAKEDOWN IN WIND OR ANY APPROACHING INCLEMENT WEATHER